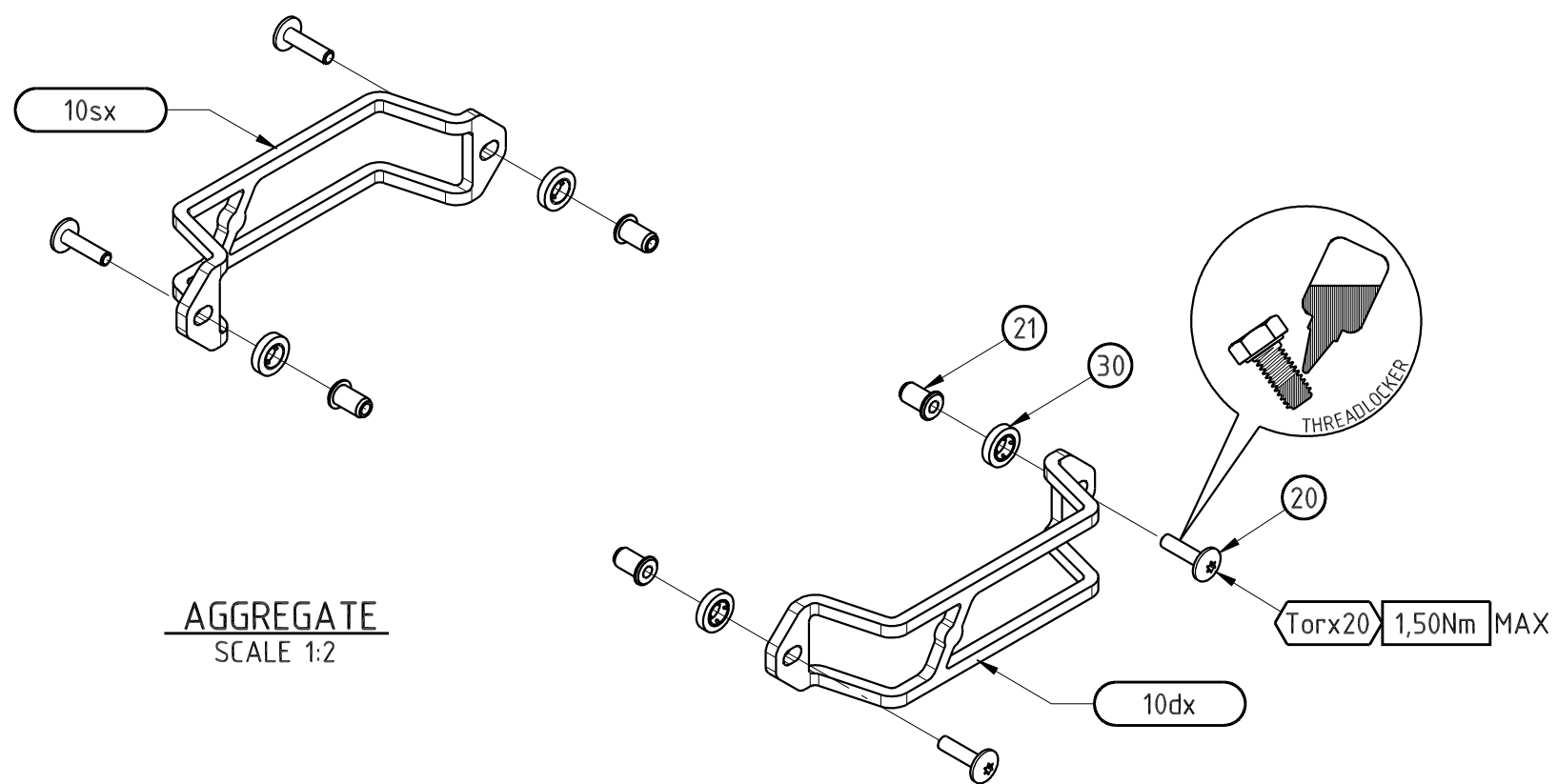



POSITION	IDENTIFICATION	MATERIAL	FINISHING	QUANTITY
10sx	PASSENGER SIDE GUARD	CARBON STEEL	PAINTED	N°1 PIECE
10dx	DRIVER SIDE GUARD	CARBON STEEL		N°1 PIECE
20	TORX RECESSED SOCKET WIDE BUTTON HEAD SCREW M4X16	ALUMINUM ALLOY	BLACK ANODIZED	N°4 PIECES
21	THREADED INSERT M4	CARBON STEEL	WHITE ELECTROLYTIC GALVANIZED	N°4 PIECES
30	SPECIAL WASHER	POLYMER	BLACK	N°4 PIECES



		TABLE: n°01	SHEET: A3 SCALE 1:1
		AGGREGATE	
TECHNICAL DRAFTSMAN:	MARCO ACERBIS	ITEM CODE:	KPFL
IDENTIFICATION:	SIDE TURN SIGNAL GUARDS		