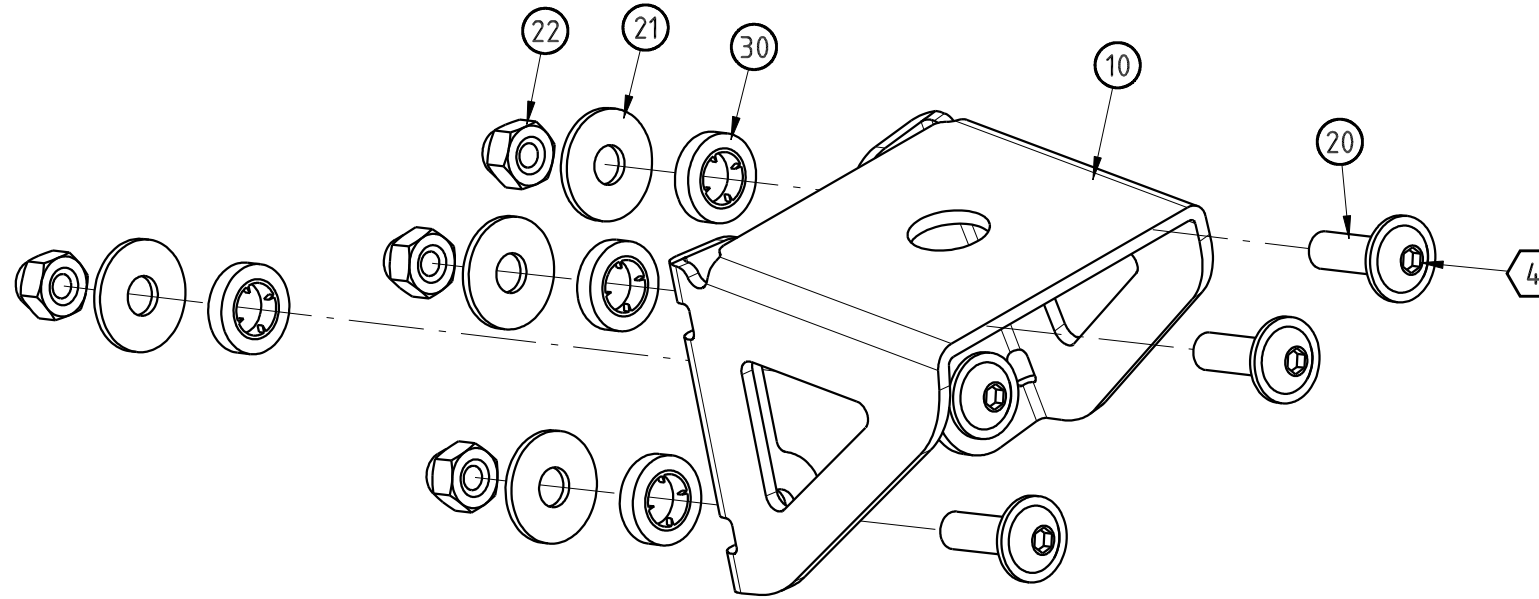

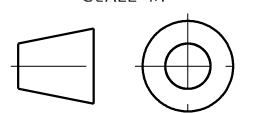


POSITION	IDENTIFICATION	MATERIAL	FINISHING	QUANTITY
⑩	BRACKET	CARBON STEEL	PAINTED	N°1 PIECE
⑳	HEX RECESSED SOCKET FLANGED BUTTON HEAD SCREW M5X16	CARBON STEEL	BLACK ELECTROLYTIC GALVANIZED	N°4 PIECES
㉑	WIDE FLAT WASHER M5 $\varnothing$ 15 UNI 6593	CARBON STEEL	WHITE ELECTROLYTIC GALVANIZED	N°4 PIECES
㉒	HEX SELF LOCKING HIGH NUT M5 UNI 7473	CARBON STEEL	WHITE ELECTROLYTIC GALVANIZED	N°4 PIECES
③①	SPECIAL WASHER	POLYMER	BLACK	N°4 PIECES



AGGREGATE  
SCALE 1:1

		TABLE: n°01	SHEET: A3 SCALE 1:1
		AGGREGATE	
TECHNICAL DRAFTSMAN:	MARCO ACERBIS	ITEM CODE:	SMMP
IDENTIFICATION:	MULTIPURPOSE BRACKET FOR REAR PILLAR		